

Centrifugal chimney roof fans for hot fumes (max 200°C).



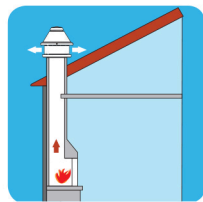
CE

Compass opening for easy access to the chimney.

- To extract hot dusty fumes/air smoke at temperature up to 200°C;
- Suitable for fireplaces, ovens waste or industrial hoods;
- For all chimneys with low natural draw;
- Ball bearing class F insulation motor IP55 protected;
- Aluminium protection cover;
- Self cleaning backward centrifugal zinc plated steel impeller statically and dynamically balanced;
- Safety protection outside grille;
- Provided with electronic speed controller RGE, for industrial use RGM2 available as accessory;
- The opening system allows easy access to the chimney for cleaning;
- In accordance with the essential requirements of 2006/42/EC Directive concerning machines and European Standards UNI EN ISO 13857; UNI EN ISO 12499; CEI EN 60204-1.

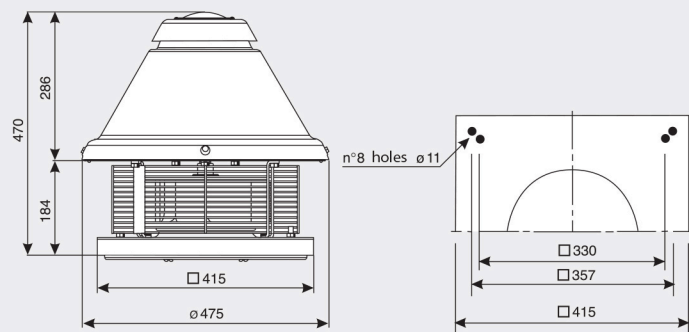
[Accessories page 88](#)

### POSITION



CHIMNEY MOUNTING

### DIMENSIONS



### TECHNICAL DATA

Model	Code	Motor protection	Voltage at 50/60 Hz	Max flow rate m <sup>3</sup> /h	Max Press		N. poles	Rated power W	Nom. curr. in A 230 V	dB(A) 2m	RPM	Kg
					mm H <sub>2</sub> O	Pa						
<b>TURBOCAMINO</b>	0055400	IP55	230	1200	19,5	191	4	110	0,6	52,5	1400	15