



## IN-LINE MIXED FLOW DUCT FANS ULTRA-QUIET

### TD-SILENT Series (160 to 1000 models)



Validated mark of approval  
noise abatement society

Low profile "Mixed-flow" fans with sound-absorbent insulation. **Extremely quiet.**

Certified of **Approval Noise Abatement Society** (TD-350, TD-500, TD-800 and TD-1000 models). Manufactured in plastic material, with a specifically designed internal skin to direct the sound waves in the right angle for them to be captured by the sound-absorbent material (1). Fitted with rubber gaskets on the inlet and outlet to absorb vibrations, **a body that can be dismantled.** Connection box can be rotated 360°, to facilitate easy connection of the power cable.

#### Motors

Speed controllable 230 V 50 Hz motor, of two speed motors.

Motors are IP44, class B, with ball bearings and safety thermal overload protection.

(1) Except the TD-160 SILENT, that is fitted with the special floating motor system patented by S&P.

#### Additional information

MIXVENT TD-T models fitted with a Run-On-Timer adjustable within 1 and 30 minutes and one-speed motor not suitable for speed control. Three phase models adjustable by inverter control.

**NEW**

### TD-SILENT Series (1300 and 2000 models)



Validated mark of approval  
noise abatement society

Low profile "Mixed-flow" fans with sound-absorbent insulation. **Extremely quiet.**

Certified of **Approval Noise Abatement Society** (TD-2000 model). Constructed from sheet steel with epoxy polyester paint, **acoustic insulation (MO) glass fibre, within outer shell.**

Aerodynamic inlet to improve air flow and reduce sound.

Detachable fan unit without demounting duct connections.

External terminal box IP55.

Removeable fan body with 2 speed motor, single phase 230V-50/60Hz speed controllable, IP44, Class F, external rota aluminium motor with capacitor and thermal protection.

#### Additional information

The models offer solutions to ventilation problems, especially in places where people work and low sound level is required.

TD-SILENT

In-Line duct fans

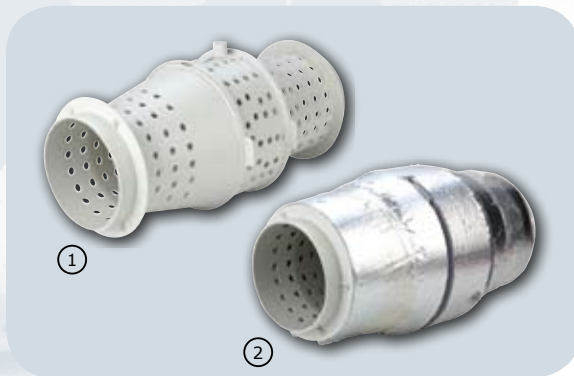


**Low profile**



The low profile of the TD-SILENT fans makes them the most effective solution for installations where the space of installation is limited such as false ceilings.

**Low noise level**



Sound waves produced inside the TD, are directed through the perforated inner skin (1) and absorbed by the layer of sound-absorbent material (2).

**Easy maintenance**



Bi-material support brackets, which in addition to simplifying installation, serve as joint seals.

**Connection box rotated 360°**



Connection box can be rotated 360°, to facilitate easy connection of the power cable.

**Flexible washers**



Bi-material inlet and outlet incorporating a flexible washer to facilitate installation and absorb vibrations.

**Support bracket**



Support bracket for installing on a wall or ceiling, incorporating twin-material support brackets for the motor section that absorbs vibration.

**Easy to mount**



Loosen and open clamps on both sides



Remove the fan body



Remove the terminal box lid



Connect electrical supply




Remount the fan body by tightening the clamps

**Models with Run-On-Timer**




TD-SILENT-T models (from 250 to 1000 models) are fitted with an adjustable timer between 1 and 30 minutes and are supplied with a one-speed motor not suitable for speed control

**1 6 0 M O D E L**



**Silent-elastic-blocks**

TD-160/100N SILENT model offer very low noise level, with a **motor mounted on silent-elastic-blocks** which absorb the vibrations





1 3 0 0   A N D   2 0 0 0   M O D E L S

**Low profile - compact**



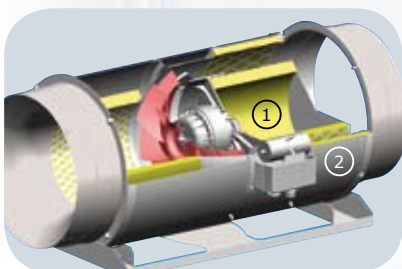
Low profile fans TD-1300/250 SILENT and TD-2000/315 SILENT are ideal for installations where space is very small, as in false ceilings.

**Easy maintenance**



Detachable fan unit for maintenance, or cleaning, without demounting duct connections.

**Low noise level**



- ① Acoustic insulation (MO) glass fibre
- ② Outer shell
- ③ Aerodynamic inlet to improve air flow and reduce sound
- ④ Attenuating perforated skin



**Support bracket**



Suitable for wall or ceiling mounting. Fixing brackets to the motor-body included.

**IP55 remote terminal box**



Easy installation and connection.



## ■ Technical characteristics

| Model                    | Speed<br>(r.p.m.) | Maximum<br>absorbed<br>power<br>(W) | Maximum<br>absorbed<br>current<br>(A) | Duty at free<br>discharge<br>(m <sup>3</sup> /h) | Maximum<br>operating<br>temp.<br>(°C) | Sound<br>pressure<br>level*<br>(dB(A)) | Ø<br>Duct<br>(mm) | Weight<br>(Kg) |
|--------------------------|-------------------|-------------------------------------|---------------------------------------|--|---------------------------------------|--|-------------------|----------------|
| TD-160/100 N SILENT      | 2500              | 25                                  | 0,16                                  | 180  | -20/+40                               | 24                                     | 100               | 1,40           |
|                          | 2200              | 12                                  | 0,10                                  | 140  |                                       | 21                                     |                   |                |
| TD-250/100 SILENT        | 2200              | 24                                  | 0,11                                  | 240  | -20/+40                               | 24                                     | 100               | 5,40           |
|                          | 1850              | 18                                  | 0,10                                  | 180  |                                       | 19                                     |                   |                |
| TD-350/125 SILENT        | 2250              | 30                                  | 0,13                                  | 380  | -20/+40                               | 20                                     | 125               | 4,94           |
|                          | 1900              | 22                                  | 0,10                                  | 280  |                                       | 19                                     |                   |                |
| TD-500/150-160 SILENT ** | 2500              | 50                                  | 0,22                                  | 580  | -20/+60                               | 22                                     | 150 /160          | 6,00           |
|                          | 1950              | 44                                  | 0,19                                  | 430  |                                       | 17                                     |                   |                |
| TD-800/200 SILENT        | 2780              | 95                                  | 0,45                                  | 880  | -20/+60                               | 19                                     | 200               | 8,70           |
|                          | 2480              | 90                                  | 0,43                                  | 700  |                                       | 18                                     |                   |                |
| TD-1000/200 SILENT       | 2500              | 120                                 | 0,50                                  | 1100   | -40/+60                               | 21                                     | 200               | 8,70           |
|                          | 2000              | 100                                 | 0,45                                  | 800  |                                       | 20                                     |                   |                |
| TD-1300/250 SILENT       | 2570              | 197                                 | 0,83                                  | 1270   | -40/+60                               | 35                                     | 250               | 20,0           |
|                          | 2190              | 145                                 | 0,61                                  | 1070   |                                       | 31                                     |                   |                |
| TD-2000/315 SILENT       | 2680              | 297                                 | 1,28                                  | 1770   | -40/+60                               | 39                                     | 315               | 25,0           |
|                          | 2300              | 191                                 | 0,79                                  | 1500   |                                       | 33                                     |                   |                |

\* Sound pressure level radiated at 3 m at free air conditions with rigid ducts at the inlet and at the outlet.

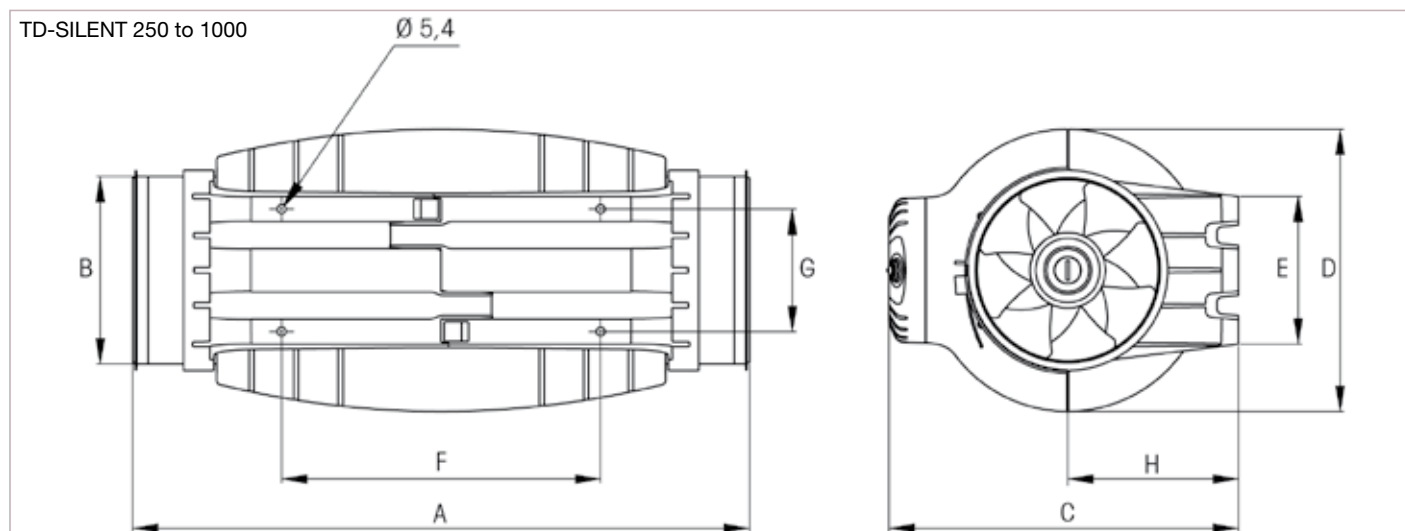
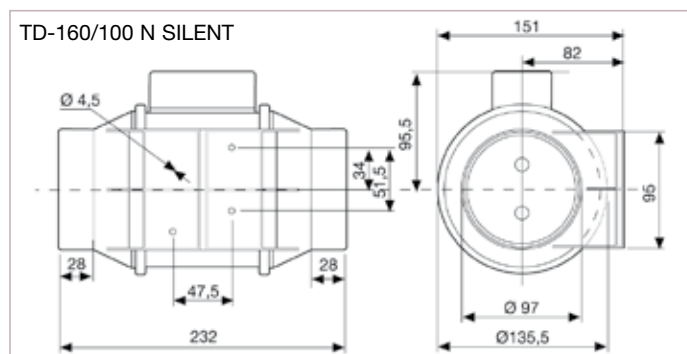
\*\* It provides an additional rubber gasket for installation in 160 mm ducts.

| Model                   | Speed<br>(r.p.m.) | Maximum<br>absorbed<br>power<br>(W) | Maximum<br>absorbed<br>current<br>(A) | Duty at free<br>discharge<br>(m <sup>3</sup> /h) | Maximum<br>operating<br>temp.<br>(°C) | Sound<br>pressure<br>level*<br>(dB(A)) | Ø<br>Duct<br>(mm) | Weight<br>(Kg) |
|-------------------------|-------------------|-------------------------------------|---------------------------------------|--|---------------------------------------|--|-------------------|----------------|
| TD-250/100 SILENT-T     | 2200              | 24                                  | 0,11                                  | 240  | 40                                    | 24                                     | 100               | 5,4            |
| TD-350/125 SILENT-T     | 2250              | 30                                  | 0,13                                  | 380  | 40                                    | 20                                     | 125               | 4,94           |
| TD-500/150-160 SILENT-T | 2500              | 50                                  | 0,22                                  | 580  | 60                                    | 22                                     | 150/160           | 6              |
| TD-800/200 SILENT-T     | 2780              | 95                                  | 0,45                                  | 880  | 60                                    | 19                                     | 200               | 8,7            |
| TD-1000/200 SILENT-T    | 2500              | 120                                 | 0,5                                   | 1100   | 60                                    | 21                                     | 200               | 8,7            |

\* Sound pressure level radiated at 3 m at free air conditions with rigid ducts at the inlet and at the outlet.

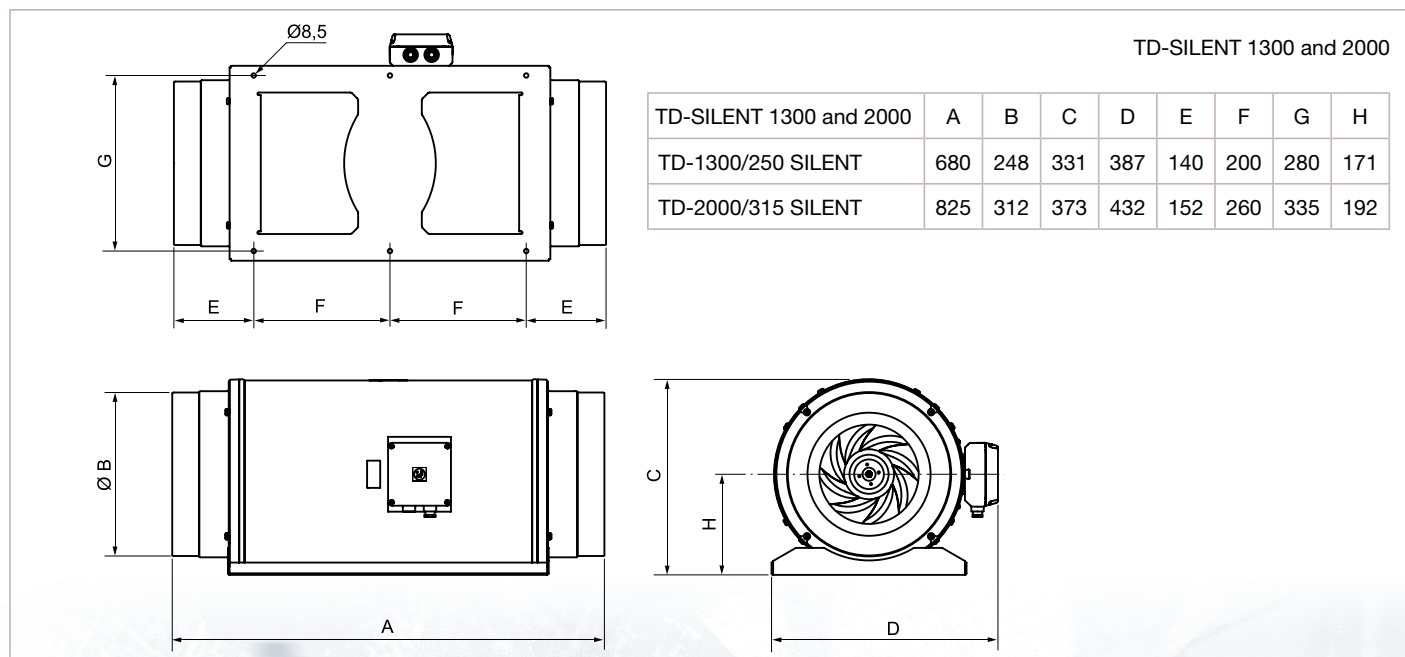


## ■ Dimensions (mm)



| TD-SILENT 250 to 1000 | A   | B Ø | C   | D Ø | E   | F   | G   | H   |
|-----------------------|-----|-----|-----|-----|-----|-----|-----|-----|
| TD-250/100            | 575 | 97  | 252 | 204 | 100 | 250 | 83  | 121 |
| TD-350/125            | 462 | 123 | 252 | 204 | 100 | 250 | 83  | 121 |
| TD-500/150-160*       | 484 | 147 | 274 | 221 | 116 | 250 | 96  | 134 |
| TD-800/200            | 568 | 198 | 327 | 264 | 145 | 340 | 129 | 164 |
| TD-1000/200           | 568 | 198 | 327 | 264 | 145 | 340 | 129 | 164 |

\* It provides an additional rubber gasket for installation in 160 mm ducts.



TD-SILENT

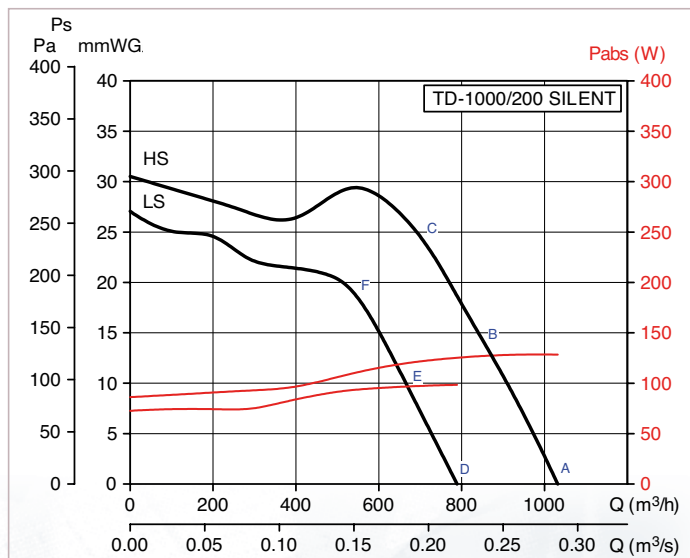
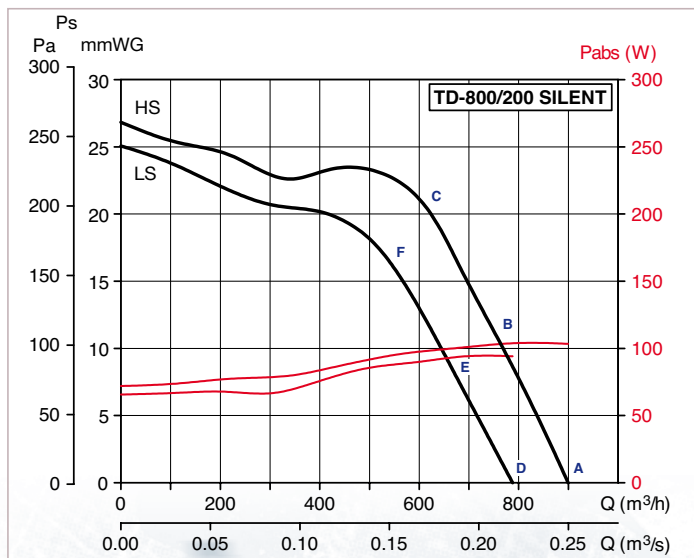
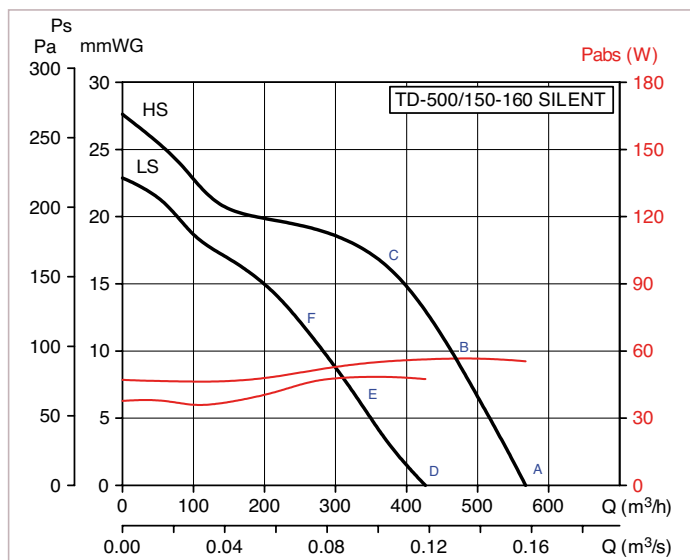
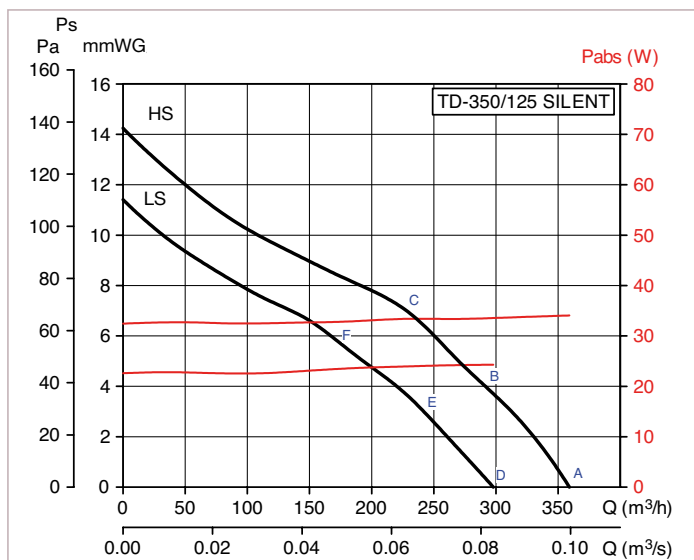
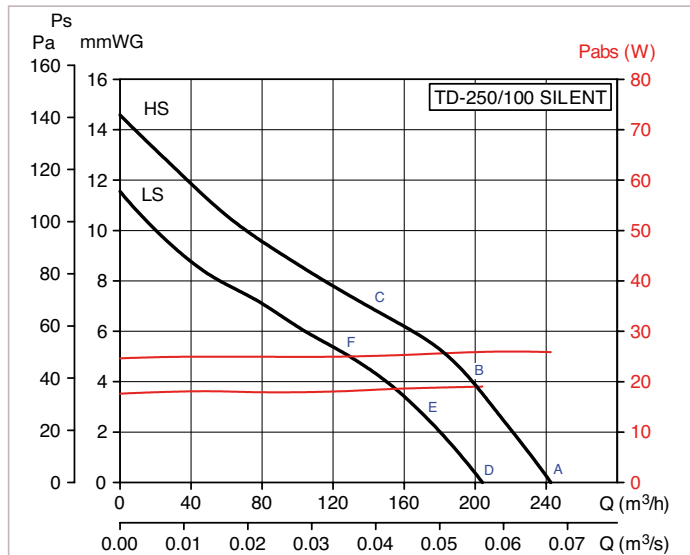
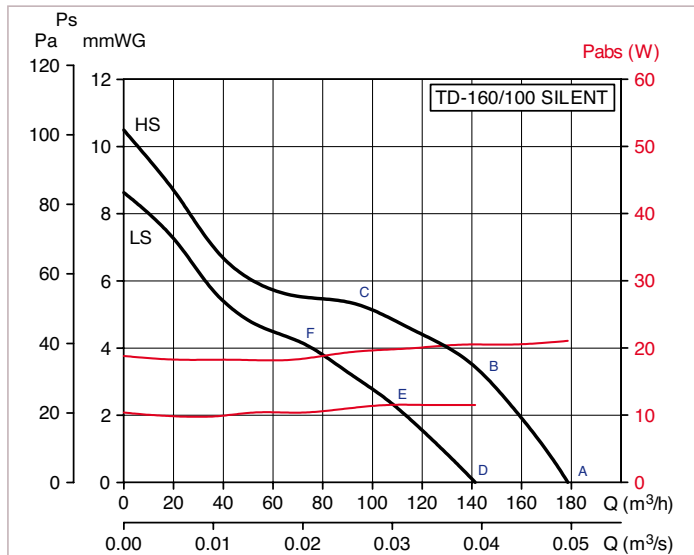
In-Line duct fans



## Performance curves

- Q = Air volume in, m<sup>3</sup>/hr and m<sup>3</sup>/s.
- Ps = Static pressure in mmWG and Pa.
- Dry air at 20°C and 760 mmHg.
- Performance data in accordance with ISO 5801, AMCA 210-99 Standards and BS 848 part 2:1985.

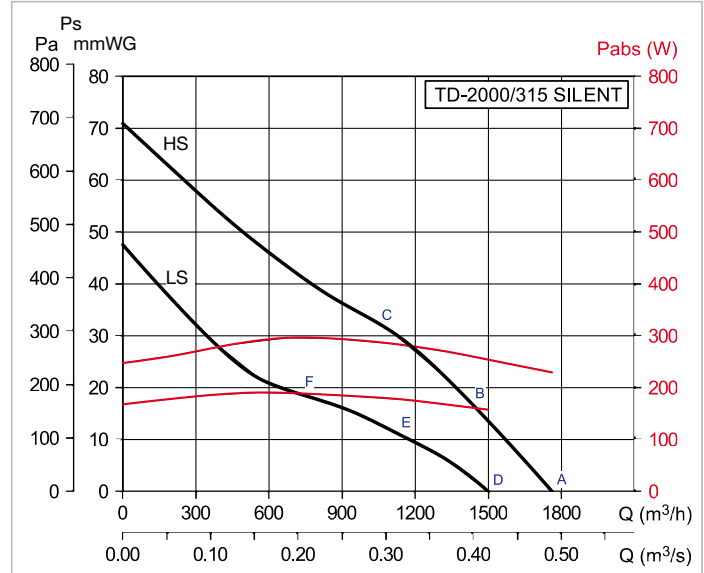
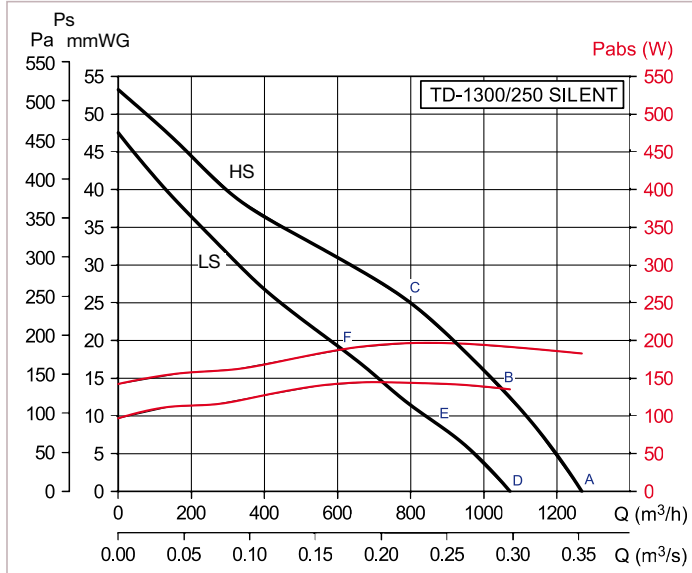
HS = High speed  
LS = Low speed





## Performance curves

- Q = Air volume in, m<sup>3</sup>/hr and m<sup>3</sup>/s.
- Ps = Static pressure in mmWG and Pa.
- Dry air at 20°C and 760 mmHg.
- Performance data in accordance with ISO 5801, AMCA 210-99 Standards and BS 848 part 2:1985.



## Acoustic characteristics

Sound power spectrum: The sound levels shown in these tables are sound power levels at the discharge, radiated and inlet, in dB(A) for frequency ranges at points of the curve: (A or D) free discharge, (B or E) medium pressure, (C or F) maximum pressure. (HS) high speed, (LS) low speed. Performance data in accordance with ISO 13347-3 2004.

| TD-160/100 SILENT |   | 63 | 125 | 250 | 500 | 1.000 | 2.000 | 4.000 | 8.000 | LwA | LpA* |
|-------------------|---|----|-----|-----|-----|-------|-------|-------|-------|-----|------|
| INLET             | A | 24 | 32  | 39  | 46  | 52    | 49    | 40    | 31    | 54  | 34   |
|                   | B | 23 | 32  | 40  | 46  | 51    | 47    | 39    | 30    | 54  | 33   |
|                   | C | 23 | 34  | 43  | 47  | 51    | 47    | 39    | 30    | 54  | 33   |
| RADIATED          | A | 24 | 24  | 37  | 34  | 36    | 41    | 32    | 21    | 44  | 24   |
|                   | B | 23 | 24  | 38  | 35  | 35    | 39    | 31    | 20    | 44  | 24   |
|                   | C | 23 | 26  | 41  | 36  | 35    | 39    | 31    | 20    | 44  | 24   |
| OUTLET            | A | 30 | 34  | 37  | 48  | 51    | 47    | 41    | 31    | 54  | 33   |
|                   | B | 29 | 35  | 37  | 48  | 49    | 46    | 39    | 30    | 53  | 33   |
|                   | C | 28 | 36  | 39  | 49  | 50    | 45    | 39    | 30    | 54  | 33   |

| TD-160/100 SILENT |   | 63 | 125 | 250 | 500 | 1.000 | 2.000 | 4.000 | 8.000 | LwA | LpA* |
|-------------------|---|----|-----|-----|-----|-------|-------|-------|-------|-----|------|
| INLET             | D | 23 | 26  | 37  | 43  | 49    | 45    | 36    | 27    | 51  | 31   |
|                   | E | 22 | 27  | 39  | 43  | 47    | 43    | 35    | 26    | 50  | 30   |
|                   | F | 22 | 29  | 41  | 44  | 48    | 44    | 35    | 27    | 51  | 31   |
| RADIATED          | D | 23 | 17  | 35  | 32  | 33    | 37    | 28    | 17    | 41  | 21   |
|                   | E | 22 | 18  | 37  | 32  | 31    | 36    | 27    | 17    | 41  | 21   |
|                   | F | 22 | 21  | 39  | 33  | 32    | 36    | 27    | 17    | 42  | 22   |
| OUTLET            | D | 29 | 32  | 34  | 45  | 48    | 44    | 37    | 27    | 51  | 30   |
|                   | E | 28 | 32  | 35  | 45  | 46    | 42    | 35    | 27    | 50  | 29   |
|                   | F | 28 | 33  | 36  | 46  | 47    | 42    | 36    | 27    | 51  | 30   |

| TD-250/100 SILENT |   | 63 | 125 | 250 | 500 | 1.000 | 2.000 | 4.000 | 8.000 | LwA | LpA* |
|-------------------|---|----|-----|-----|-----|-------|-------|-------|-------|-----|------|
| INLET             | A | 26 | 32  | 46  | 53  | 53    | 44    | 38    | 30    | 57  | 36   |
|                   | B | 24 | 36  | 46  | 53  | 52    | 44    | 38    | 30    | 56  | 36   |
|                   | C | 25 | 35  | 42  | 51  | 55    | 47    | 40    | 34    | 57  | 37   |
| RADIATED          | A | 26 | 28  | 40  | 40  | 36    | 31    | 25    | 18    | 44  | 24   |
|                   | B | 24 | 32  | 40  | 40  | 35    | 31    | 25    | 18    | 44  | 24   |
|                   | C | 25 | 31  | 36  | 38  | 38    | 34    | 27    | 22    | 43  | 23   |
| OUTLET            | A | 30 | 33  | 45  | 53  | 46    | 40    | 36    | 28    | 55  | 34   |
|                   | B | 26 | 35  | 43  | 52  | 45    | 40    | 36    | 28    | 54  | 33   |
|                   | C | 26 | 35  | 39  | 51  | 49    | 42    | 38    | 31    | 54  | 33   |

| TD-250/100 SILENT |   | 63 | 125 | 250 | 500 | 1.000 | 2.000 | 4.000 | 8.000 | LwA | LpA* |
|-------------------|---|----|-----|-----|-----|-------|-------|-------|-------|-----|------|
| INLET             | D | 22 | 38  | 42  | 47  | 48    | 38    | 32    | 26    | 52  | 31   |
|                   | E | 23 | 34  | 43  | 46  | 48    | 39    | 32    | 27    | 51  | 31   |
|                   | F | 24 | 33  | 39  | 49  | 54    | 43    | 35    | 29    | 56  | 35   |
| RADIATED          | D | 22 | 33  | 35  | 34  | 28    | 24    | 19    | 17    | 39  | 19   |
|                   | E | 23 | 29  | 36  | 33  | 28    | 25    | 19    | 18    | 39  | 19   |
|                   | F | 24 | 28  | 32  | 36  | 34    | 29    | 22    | 20    | 40  | 20   |
| OUTLET            | D | 26 | 36  | 40  | 47  | 41    | 34    | 29    | 24    | 49  | 29   |
|                   | E | 25 | 34  | 41  | 46  | 42    | 35    | 31    | 25    | 49  | 28   |
|                   | F | 25 | 33  | 38  | 49  | 46    | 37    | 33    | 26    | 51  | 31   |

| TD-350/125 SILENT |   | 63 | 125 | 250 | 500 | 1.000 | 2.000 | 4.000 | 8.000 | LwA | LpA* |
|-------------------|---|----|-----|-----|-----|-------|-------|-------|-------|-----|------|
| INLET             | A | 22 | 28  | 41  | 53  | 49    | 44    | 37    | 30    | 55  | 35   |
|                   | B | 22 | 27  | 39  | 51  | 49    | 42    | 37    | 30    | 54  | 33   |
|                   | C | 23 | 31  | 48  | 53  | 51    | 46    | 41    | 32    | 56  | 36   |
| RADIATED          | A | 22 | 23  | 32  | 39  | 32    | 25    | 18    | 14    | 41  | 20   |
|                   | B | 22 | 22  | 30  | 37  | 36    | 23    | 18    | 14    | 40  | 20   |
|                   | C | 23 | 26  | 39  | 39  | 34    | 27    | 22    | 16    | 43  | 22   |
| OUTLET            | A | 29 | 30  | 43  | 53  | 50    | 45    | 38    | 30    | 56  | 35   |
|                   | B | 25 | 27  | 40  | 50  | 47    | 40    | 36    | 29    | 52  | 32   |
|                   | C | 24 | 31  | 46  | 52  | 47    | 42    | 40    | 32    | 54  | 34   |

| TD-350/125 SILENT |   | 63 | 125 | 250 | 500 | 1.000 | 2.000 | 4.000 | 8.000 | LwA | LpA* |
|-------------------|---|----|-----|-----|-----|-------|-------|-------|-------|-----|------|
| INLET             | D | 21 | 27  | 42  | 46  | 51    | 38    | 31    | 25    | 53  | 32   |
|                   | E | 22 | 29  | 40  | 46  | 53    | 39    | 34    | 26    | 54  | 34   |
|                   | F | 30 | 33  | 41  | 51  | 52    | 46    | 40    | 33    | 55  | 35   |
| RADIATED          | D | 18 | 22  | 34  | 33  | 34    | 20    | 13    | 13    | 39  | 18   |
|                   | E | 19 | 24  | 32  | 33  | 36    | 21    | 16    | 14    | 39  | 19   |
|                   | F | 27 | 28  | 33  | 38  | 35    | 28    | 22    | 21    | 41  | 21   |
| OUTLET            | D | 24 | 27  | 43  | 45  | 46    | 38    | 30    | 25    | 50  | 29   |
|                   | E | 23 | 29  | 40  | 45  | 47    | 35    | 32    | 26    | 50  | 29   |
|                   | F | 29 | 34  | 41  | 49  | 46    | 41    | 38    | 31    | 52  | 31   |

\* Sound pressure level radiated at 3 m. in free field condition, with rigid ducts at the inlet and outlet.

## ■ Acoustic characteristics

Sound power spectrum: The sound levels shown in these tables are sound power levels at the discharge, radiated and inlet, in dB(A) for frequency ranges at points of the curve: (A or D) free discharge, (B or E) medium pressure, (C or F) maximum pressure. VR, fast speed. VL, slow speed. Performance data in accordance with ISO 13347-3 2004.

| TD-500/150 SILENT |   | 63 | 125 | 250 | 500 | 1.000 | 2.000 | 4.000 | 8.000 | LwA | LpA* |
|-------------------|---|----|-----|-----|-----|-------|-------|-------|-------|-----|------|
| INLET             | A | 24 | 35  | 51  | 58  | 57    | 56    | 51    | 47    | 63  | 42   |
|                   | B | 25 | 33  | 48  | 56  | 55    | 54    | 46    | 42    | 60  | 40   |
|                   | C | 24 | 33  | 49  | 57  | 53    | 52    | 46    | 40    | 60  | 39   |
| RADIATED          | A | 12 | 21  | 42  | 39  | 37    | 35    | 23    | 18    | 45  | 25   |
|                   | B | 13 | 19  | 39  | 37  | 35    | 33    | 18    | 13    | 43  | 22   |
|                   | C | 12 | 19  | 40  | 38  | 33    | 31    | 18    | 11    | 43  | 22   |
| OUTLET            | A | 38 | 38  | 52  | 60  | 58    | 53    | 49    | 43    | 63  | 43   |
|                   | B | 35 | 35  | 53  | 58  | 57    | 50    | 44    | 38    | 62  | 41   |
|                   | C | 30 | 33  | 50  | 57  | 56    | 48    | 42    | 36    | 60  | 40   |

| TD-500/150 SILENT |   | 63 | 125 | 250 | 500 | 1.000 | 2.000 | 4.000 | 8.000 | LwA | LpA* |
|-------------------|---|----|-----|-----|-----|-------|-------|-------|-------|-----|------|
| INLET             | D | 28 | 33  | 46  | 54  | 53    | 51    | 45    | 38    | 58  | 38   |
|                   | E | 25 | 31  | 41  | 50  | 48    | 44    | 37    | 30    | 53  | 33   |
|                   | F | 25 | 37  | 48  | 56  | 52    | 49    | 42    | 35    | 59  | 38   |
| RADIATED          | D | 23 | 25  | 34  | 37  | 38    | 35    | 26    | 23    | 43  | 22   |
|                   | E | 20 | 23  | 29  | 33  | 33    | 28    | 18    | 15    | 38  | 17   |
|                   | F | 20 | 29  | 36  | 39  | 37    | 33    | 23    | 20    | 43  | 23   |
| OUTLET            | D | 26 | 33  | 47  | 53  | 51    | 47    | 41    | 33    | 56  | 36   |
|                   | E | 25 | 31  | 44  | 50  | 48    | 41    | 33    | 27    | 53  | 33   |
|                   | F | 26 | 37  | 50  | 55  | 50    | 43    | 37    | 31    | 57  | 37   |

| TD-800/200 SILENT |   | 63 | 125 | 250 | 500 | 1.000 | 2.000 | 4.000 | 8.000 | LwA | LpA* |
|-------------------|---|----|-----|-----|-----|-------|-------|-------|-------|-----|------|
| INLET             | A | 27 | 40  | 48  | 57  | 61    | 61    | 57    | 50    | 66  | 45   |
|                   | B | 25 | 38  | 46  | 55  | 58    | 58    | 54    | 46    | 63  | 42   |
|                   | C | 23 | 38  | 47  | 57  | 59    | 58    | 53    | 48    | 64  | 43   |
| RADIATED          | A | 12 | 31  | 29  | 35  | 37    | 36    | 24    | 18    | 42  | 21   |
|                   | B | 10 | 29  | 27  | 33  | 34    | 33    | 21    | 14    | 39  | 19   |
|                   | C | 8  | 29  | 28  | 35  | 35    | 33    | 20    | 16    | 40  | 19   |
| OUTLET            | A | 49 | 50  | 51  | 59  | 62    | 62    | 59    | 51    | 67  | 47   |
|                   | B | 42 | 45  | 49  | 58  | 59    | 58    | 55    | 47    | 64  | 44   |
|                   | C | 36 | 42  | 50  | 58  | 59    | 57    | 54    | 47    | 64  | 43   |

| TD-800/200 SILENT |   | 63 | 125 | 250 | 500 | 1.000 | 2.000 | 4.000 | 8.000 | LwA | LpA* |
|-------------------|---|----|-----|-----|-----|-------|-------|-------|-------|-----|------|
| INLET             | D | 25 | 37  | 48  | 55  | 61    | 57    | 53    | 46    | 64  | 43   |
|                   | E | 24 | 35  | 48  | 52  | 58    | 54    | 49    | 42    | 61  | 40   |
|                   | F | 29 | 38  | 51  | 58  | 58    | 55    | 50    | 45    | 63  | 42   |
| RADIATED          | D | 12 | 26  | 30  | 34  | 38    | 33    | 21    | 15    | 41  | 20   |
|                   | E | 11 | 24  | 20  | 31  | 35    | 30    | 17    | 11    | 38  | 18   |
|                   | F | 16 | 27  | 33  | 37  | 35    | 31    | 18    | 14    | 41  | 20   |
| OUTLET            | D | 45 | 47  | 52  | 56  | 59    | 58    | 54    | 46    | 64  | 43   |
|                   | E | 37 | 45  | 54  | 53  | 55    | 54    | 50    | 42    | 61  | 40   |
|                   | F | 31 | 44  | 54  | 57  | 56    | 53    | 50    | 43    | 62  | 41   |

| TD-1000/200 SILENT |   | 63 | 125 | 250 | 500 | 1.000 | 2.000 | 4.000 | 8.000 | LwA | LpA* |
|--------------------|---|----|-----|-----|-----|-------|-------|-------|-------|-----|------|
| INLET              | A | 28 | 43  | 49  | 58  | 62    | 65    | 61    | 53    | 68  | 48   |
|                    | B | 27 | 42  | 46  | 56  | 60    | 61    | 56    | 49    | 65  | 45   |
|                    | C | 25 | 42  | 47  | 58  | 61    | 61    | 56    | 50    | 66  | 45   |
| RADIATED           | A | 14 | 35  | 32  | 36  | 39    | 39    | 27    | 19    | 44  | 24   |
|                    | B | 13 | 34  | 29  | 34  | 37    | 35    | 22    | 15    | 42  | 21   |
|                    | C | 11 | 34  | 30  | 36  | 38    | 35    | 22    | 16    | 42  | 22   |
| OUTLET             | A | 50 | 50  | 52  | 59  | 65    | 65    | 61    | 54    | 70  | 49   |
|                    | B | 43 | 46  | 49  | 58  | 61    | 60    | 57    | 50    | 66  | 45   |
|                    | C | 35 | 44  | 51  | 59  | 60    | 59    | 56    | 50    | 65  | 45   |

| TD-1000/200 SILENT |   | 63 | 125 | 250 | 500 | 1.000 | 2.000 | 4.000 | 8.000 | LwA | LpA* |
|--------------------|---|----|-----|-----|-----|-------|-------|-------|-------|-----|------|
| INLET              | D | 27 | 38  | 48  | 54  | 61    | 57    | 53    | 46    | 64  | 43   |
|                    | E | 23 | 37  | 49  | 52  | 59    | 54    | 49    | 42    | 61  | 41   |
|                    | F | 26 | 39  | 52  | 57  | 59    | 56    | 51    | 45    | 63  | 43   |
| RADIATED           | D | 14 | 29  | 32  | 33  | 40    | 33    | 21    | 14    | 42  | 22   |
|                    | E | 10 | 28  | 33  | 31  | 38    | 30    | 17    | 10    | 41  | 20   |
|                    | F | 13 | 30  | 36  | 36  | 38    | 32    | 19    | 13    | 42  | 22   |
| OUTLET             | D | 44 | 45  | 53  | 55  | 59    | 58    | 54    | 46    | 64  | 43   |
|                    | E | 35 | 41  | 53  | 52  | 55    | 54    | 50    | 41    | 60  | 40   |
|                    | F | 28 | 40  | 54  | 58  | 57    | 54    | 50    | 44    | 62  | 42   |

| TD-1300/250 SILENT |   | 63 | 125 | 250 | 500 | 1.000 | 2.000 | 4.000 | 8.000 | LwA | LpA* |
|--------------------|---|----|-----|-----|-----|-------|-------|-------|-------|-----|------|
| INLET              | A | 30 | 42  | 60  | 59  | 62    | 61    | 58    | 52    | 67  | 47   |
|                    | B | 32 | 43  | 62  | 60  | 61    | 60    | 56    | 51    | 67  | 47   |
|                    | C | 36 | 47  | 63  | 60  | 58    | 58    | 55    | 48    | 67  | 47   |
| RADIATED           | A | 26 | 31  | 46  | 42  | 55    | 48    | 39    | 38    | 57  | 37   |
|                    | B | 28 | 32  | 48  | 43  | 54    | 47    | 37    | 37    | 56  | 36   |
|                    | C | 32 | 36  | 49  | 43  | 51    | 45    | 36    | 34    | 54  | 34   |
| OUTLET             | A | 33 | 45  | 60  | 68  | 72    | 65    | 54    | 48    | 74  | 54   |
|                    | B | 30 | 46  | 61  | 69  | 71    | 63    | 52    | 47    | 74  | 54   |
|                    | C | 32 | 51  | 62  | 69  | 67    | 60    | 51    | 44    | 72  | 52   |

| TD-1300/250 SILENT |   | 63 | 125 | 250 | 500 | 1.000 | 2.000 | 4.000 | 8.000 | LwA | LpA* |
|--------------------|---|----|-----|-----|-----|-------|-------|-------|-------|-----|------|
| INLET              | D | 30 | 40  | 59  | 55  | 59    | 57    | 53    | 47    | 64  | 44   |
|                    | E | 35 | 40  | 57  | 56  | 56    | 55    | 51    | 46    | 63  | 43   |
|                    | F | 38 | 45  | 59  | 57  | 53    | 53    | 49    | 42    | 63  | 43   |
| RADIATED           | D | 24 | 32  | 44  | 39  | 53    | 44    | 34    | 33    | 54  | 34   |
|                    | E | 29 | 32  | 42  | 40  | 50    | 43    | 32    | 32    | 52  | 32   |
|                    | F | 32 | 37  | 44  | 41  | 47    | 40    | 30    | 28    | 50  | 30   |
| OUTLET             | D | 30 | 43  | 58  | 63  | 72    | 59    | 50    | 43    | 73  | 53   |
|                    | E | 29 | 44  | 57  | 65  | 66    | 57    | 47    | 41    | 69  | 49   |
|                    | F | 32 | 48  | 59  | 65  | 62    | 55    | 45    | 38    | 68  | 48   |

| TD-2000/315 SILENT |   | 63 | 125 | 250 | 500 | 1.000 | 2.000 | 4.000 | 8.000 | LwA | LpA* |
|--------------------|---|----|-----|-----|-----|-------|-------|-------|-------|-----|------|
| INLET              | A | 34 | 48  | 60  | 63  | 66    | 64    | 59    | 55    | 70  | 50   |
|                    | B | 34 | 49  | 63  | 62  | 65    | 64    | 60    | 55    | 70  | 50   |
|                    | C | 37 | 56  | 64  | 63  | 63    | 62    | 58    | 52    | 70  | 50   |
| RADIATED           | A | 23 | 36  | 44  | 50  | 57    | 54    | 49    | 43    | 60  | 40   |
|                    | B | 23 | 37  | 47  | 49  | 56    | 54    | 50    | 43    | 60  | 40   |
|                    | C | 26 | 44  | 48  | 50  | 54    | 52    | 48    | 40    | 58  | 38   |
| OUTLET             | A | 42 | 54  | 67  | 69  | 73    | 66    | 52    | 49    | 76  | 56   |
|                    | B | 38 | 55  | 66  | 67  | 73    | 65    | 51    | 49    | 75  | 55   |
|                    | C | 36 | 61  | 68  | 71  | 68    | 62    | 49    | 46    | 74  | 54   |

| TD-2000/315 SILENT |   | 63 | 125 | 250 | 500 | 1.000 | 2.000 | 4.000 | 8.000 | LwA | LpA* |
|--------------------|---|----|-----|-----|-----|-------|-------|-------|-------|-----|------|
| INLET              | D | 37 | 47  | 59  | 57  | 60    | 58    | 54    | 48    | 65  | 45   |
|                    | E | 34 | 47  | 59  | 56  | 58    | 56    | 53    | 47    | 64  | 44   |
|                    | F | 32 | 48  | 59  | 55  | 56    | 54    | 51    | 43    | 63  | 43   |
| RADIATED           | D | 27 | 40  | 43  | 45  | 52    | 49    | 45    | 37    | 55  | 35   |
|                    | E | 24 | 40  | 43  | 44  | 50    | 47    | 44    | 36    | 54  | 34   |
|                    | F | 22 | 41  | 43  | 43  | 48    | 45    | 42    | 32    | 52  | 32   |
| OUTLET             | D | 34 | 52  | 62  | 63  | 67    | 60    | 47    | 43    | 70  | 50   |
|                    | E | 34 | 53  | 60  | 62  | 66    | 58    | 44    | 41    | 69  | 49   |
|                    | F | 31 | 55  | 64  | 61  | 61    | 55    | 41    | 37    | 68  | 48   |

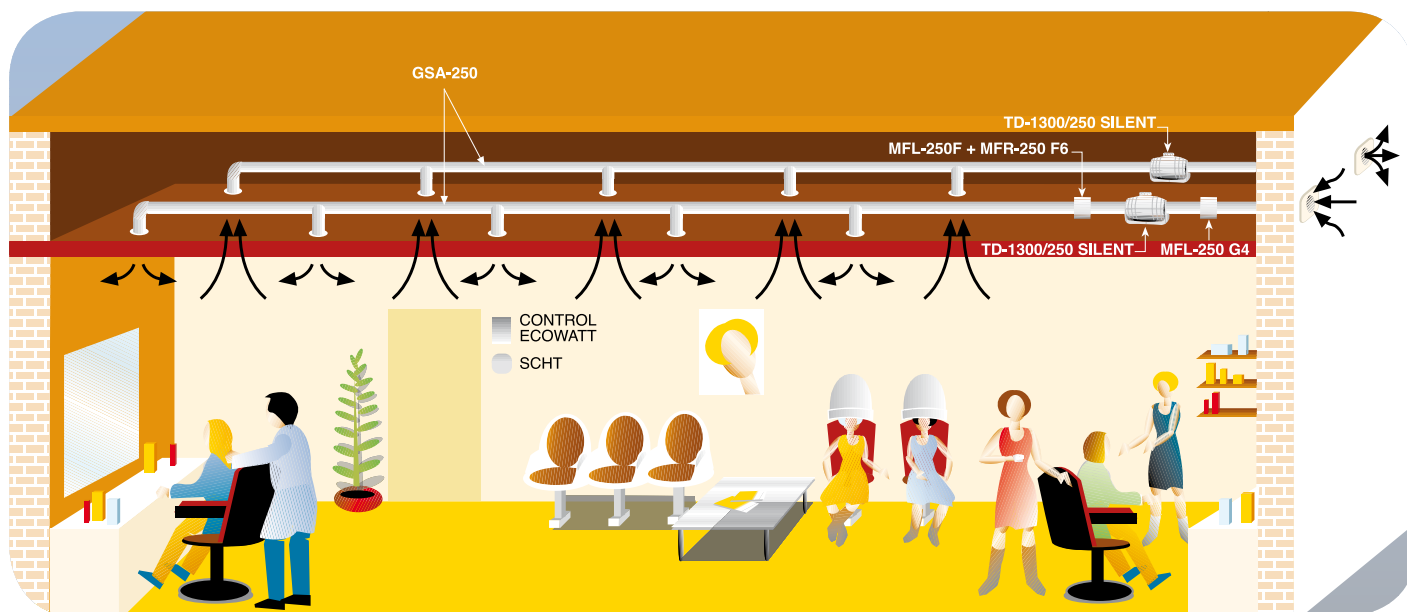
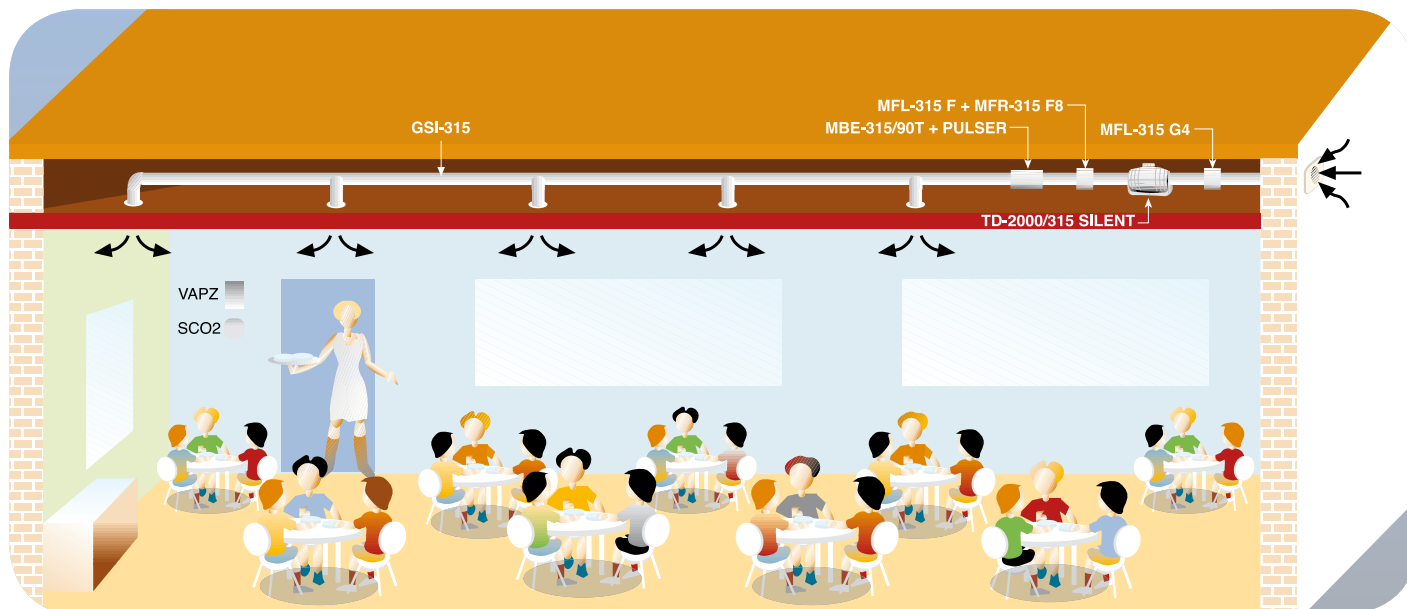
\* Sound pressure level radiated at 3 m. in free field condition, with rigid ducts at the inlet and outlet.





## ■ Practical examples of installing TD SILENT range

TD Silent range offers one of the most versatile fansystems on the market today. Due to its flexibility it can be used in a multitude of small or medium fan installations. Especially in places where working people and the ventilation system works for many hours, in these cases the sound level becomes an essential element for comfort.



TD-SILENT

In-Line duct fans



## ■ Mounting accessories

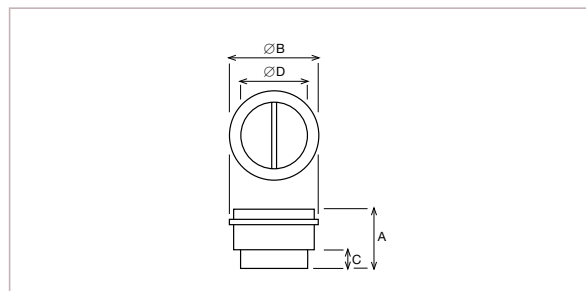


### MCA-S

Non-return flaps to be installed at the fan discharge. They prevent heat leakages when the extractor is not operating.

| MCA-S model      | TD-SILENT range    |
|------------------|--------------------|
| MCA - 250 S      | 160/100N - 250/100 |
| MCA - 350 S      | 350/125            |
| MCA - 500/150 S  | 500/150            |
| MCA - 500/160 S  | 500/160            |
| MCA - 800-1000 S | 800/200 - 1000/200 |

| MCA model  | TD-SILENT range |
|------------|-----------------|
| MCA - 1000 | 1300/250        |
| MCA - 2000 | 2000/315        |



| MCA-S model      | A     | Ø B   | C    | Ø D   |
|------------------|-------|-------|------|-------|
| MCA - 250 S      | 107   | 109   | 31,5 | 94,5  |
| MCA - 350 S      | 107   | 136   | 31,5 | 119,5 |
| MCA - 500/150 S  | 121   | 163,5 | 35   | 147   |
| MCA - 500/160 S  | 121   | 173,5 | 35   | 157   |
| MCA - 800-1000 S | 131,5 | 214   | 35   | 197,5 |

| MCA model  | A   | Ø B   | C  | Ø D |
|------------|-----|-------|----|-----|
| MCA - 1000 | 164 | 264,5 | 42 | 248 |
| MCA - 2000 | 205 | 330   | 50 | 312 |

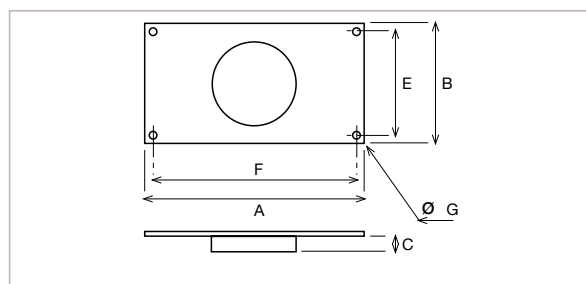


### MAR-S

Rectangular Duct Adapters enable connection to rectangular ducting.

| MAR-S model        | TD-SILENT range              | Nominal dimensions of the duct L x H |
|--------------------|------------------------------|--------------------------------------|
| MAR - 250 - 350-S  | 160/100N - 250/100 - 350/125 | 224 x 140                            |
| MAR - 500-S        | 500/150                      | 280 x 180                            |
| MAR - 800 - 1000-S | 800/200-1000/200             | 315 x 200                            |

| MAR model  | TD-SILENT range | Nominal dimensions of the duct L x H |
|------------|-----------------|--------------------------------------|
| MAR - 1000 | 1300/250        | 400 x 250                            |
| MAR - 2000 | 2000/315        | 500 x 315                            |



| MAR-S model       | A   | B   | C    | E   | F   | Ø G |
|-------------------|-----|-----|------|-----|-----|-----|
| MAR - 250-350-S   | 264 | 180 | 33,3 | 160 | 244 | 9   |
| MAR - 500-S       | 320 | 220 | 37   | 200 | 300 | 9   |
| MAR - 800 -1000-S | 355 | 240 | 37   | 220 | 335 | 9   |

| MAR model  | A   | B   | C  | E   | F   | Ø G |
|------------|-----|-----|----|-----|-----|-----|
| MAR - 1000 | 440 | 290 | 42 | 270 | 420 | 9   |
| MAR - 2000 | 540 | 355 | 52 | 355 | 520 | 9   |



### MRJ-S

Grilles mounted at the inlet or outlet of the fan, to prevent the entry of any foreign objects that could damage the fan.

| MRJ-S model           | TD-SILENT range              |
|-----------------------|------------------------------|
| MRJ - 250 - 350-S     | 160/100N - 250/100 - 350/125 |
| MRJ - 500/150 - 160-S | 500/150 - 500/160            |
| MRJ - 800 - 1000-S    | 800/200 - 1000/200           |

| MRJ model  | TD-SILENT range |
|------------|-----------------|
| MRJ - 1000 | 1300/250        |
| MRJ - 2000 | 2000/315        |

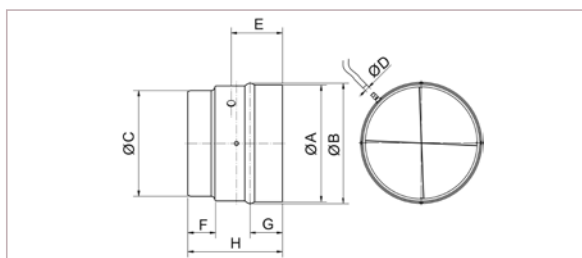


## ■ Mounting accessories



### MPC-S

Flow detectors designed to correctly measure pressures at the inlet of series TD devices with airflow straightener.



| MPC-S model    | TD-SILENT range    |
|----------------|--------------------|
| MPC-250 S      | 250/100            |
| MPC-350 S      | 350/125            |
| MPC-500/150 S  | 500/150 - 500/160  |
| MPC-500/160 S  | 500/160            |
| MPC-800-1000 S | 800/200 - 1000/200 |

| MPC-S model    | A   | B     | C    | D | E  | F    | G    | H     |
|----------------|-----|-------|------|---|----|------|------|-------|
| MPC-250 S      | 108 | 108,7 | 94,5 | 6 | 58 | 31,5 | 36,5 | 105,5 |
| MPC-350 S      | 136 | 132   | 120  | 6 | 58 | 32   | 37   | 107   |
| MPC-500/150 S  | 164 | 158   | 147  | 6 | 64 | 35   | 40   | 121   |
| MPC-500/160 S  | 174 | 168   | 157  | 6 | 64 | 35   | 40   | 121   |
| MPC-800-1000 S | 214 | 208   | 198  | 6 | 70 | 35   | 40   | 132   |

| MPC model | TD-SILENT range |
|-----------|-----------------|
| MPC-1000  | 1300/250        |
| MPC-2000  | 2000/315        |

| MPC model | A   | B   | C   | D | E   | F  | G  | H   |
|-----------|-----|-----|-----|---|-----|----|----|-----|
| MPC-1000  | 265 | 260 | 248 | 6 | 85  | 42 | 47 | 164 |
| MPC-2000  | 329 | 318 | 312 | 6 | 106 | 50 | 55 | 204 |



### MBR-S

Flanges allowing the coupling of TD-Silent fans in series.

| MBR-S model    | Ø of the conduct |
|----------------|------------------|
| MBR-250-350 S  | 125              |
| MBR-500 S      | 150              |
| MBR-800-1000 S | 200              |

| MBR model | Ø of the conduct |
|-----------|------------------|
| MBR-1000  | 250              |
| MBR-2000  | 315              |





## ■ Electrical accessories



**REGUL 2**  
2 speed switch.



**REB**  
Single phase electronic speed controller.



**CONTROL ECOWATT AC/4A**  
**Control element for demand controlled ventilation systems** in public, commercial residential buildings that automatically modifies the fan speed to adapt it to the needs defined in the system, measured with sensors.



**VAPZ**  
**Electronic single phase regulator** that controls the fan speed with a simple contact (presence detector) or an analogical input, 0-10 V or 4-20 mA (CO<sub>2</sub> probe for relative humidity % RH).



**SCO2-A**  
Ambient CO<sub>2</sub> and temperature sensor.

**SCO2-AD**  
Ambient CO<sub>2</sub> and temperature sensor, with display.

**SCHT-AD**  
Ambient CO<sub>2</sub>, temperature and relative humidity with display.



**CPFL-S / CPFL-E**  
Presence detector for wall fitting, sensitive to infrared radiation by bodies in movement, with a 360° detecting angle. Power supply: 1-230 V.



**TDP-S / TDP-D**  
Pressure sensor. Enables you to control the pressure in the fan inlet.  
Pressure range: 0-2500 Pa.  
Output signal: 0-10V/4-20 mA.



**REMP**  
**Motorised damper**, opening proportionally and controlled by the BEAS control module. Power supply: 24 VAC or 24 VD, depending on the models.

